

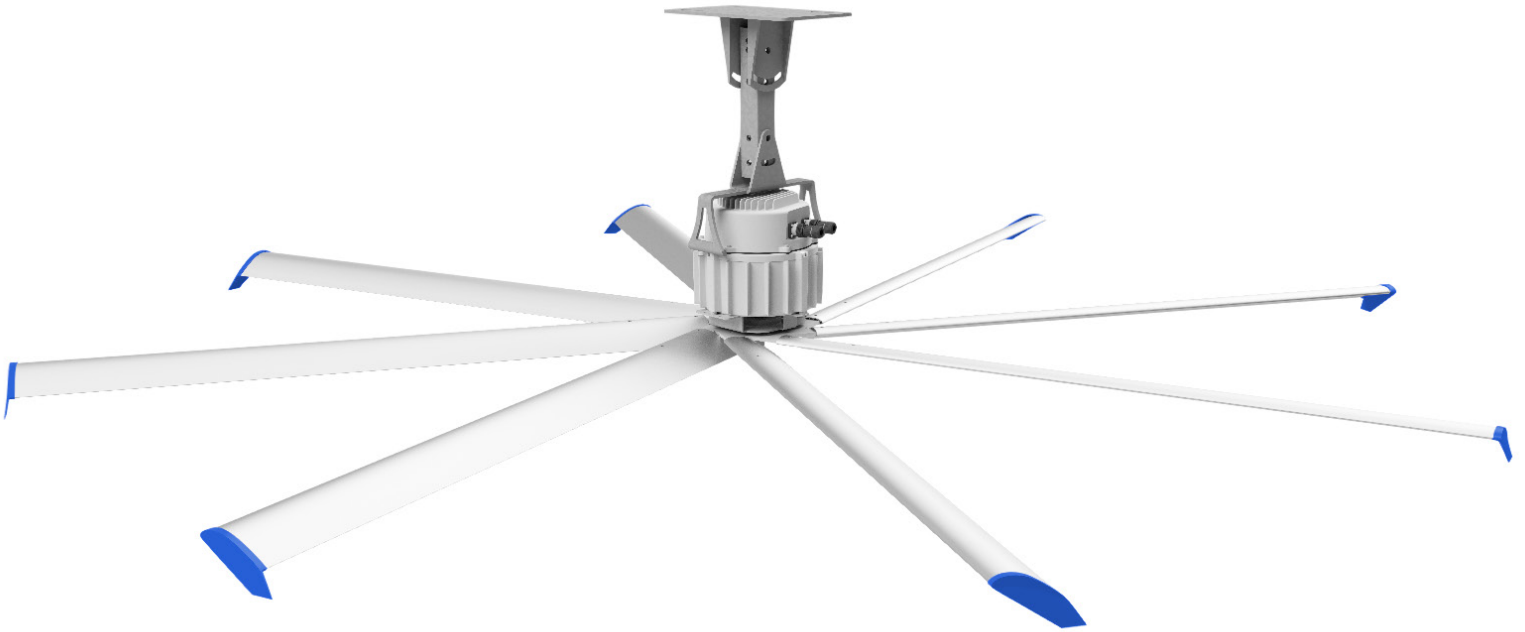


AIRFLOW HVLS FANS

# *AirFlow HVLS Fans*

## *Swift VIII Direct Drive Series*

### 6' to 16' Diameter



#### **Low on Cost, High on Performance**

- Operates for less than a dollar a day
- Optimizes energy performance wherever installed
- Lowers perceived temperatures by up to 15°F
- Increase efficiency and lower run times of existing HVAC systems
- Increases employee comfort and productivity
- Compatible with Blue Giant AutoPilot multi-fan controller for added functionality

#### **Applications**

- Warehouses
- Manufacturing facilities
- Auto dealerships
- Agriculture
- Retail facilities
- Gyms
- Places of worship

#### **Eight-Blade Performance**

- Available blade sizes of 6' to 16'
- Innovative and aerospace-inspired blade design moves more air with less energy, keeping employees comfortable and productive in small to medium-sized facilities
- Superior airflow distribution
- A cost-effective alternative to air conditioning
- Reduces condensation, corrosion and mold
- Silent operation

***BLUE GIANT***®

## Specifications

### Custom-Engineered Airfoils

8 STOL-inspired extruded aluminum airfoils with wing tips, contoured for maximum air movement and redirect outward airflow into downward airflow.

### Motor

Direct drive, totally enclosed, 1.35 HP ECM motor, IP65 rated with Class F insulation (110/1/60, 230/1/60, 230/3/60).

### VFD

Onboard VFD, IP65 rated, factory assembled & programmed for minimal start/stop torque loads.

### Construction

Mounting components are 1/4" powder-coated steel and anodized aluminum, protected from the elements. Safety brackets are stainless steel.

### Warranty

5 year: Motor; 1 year: Electronics; Lifetime: Airfoil and Hub.

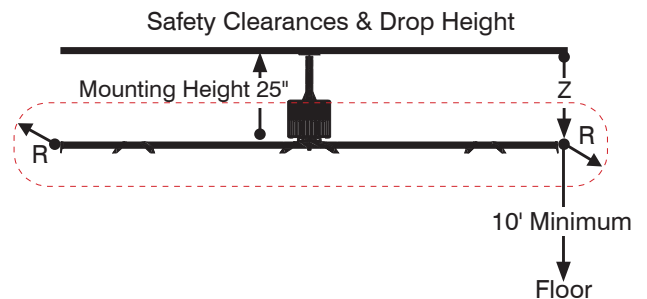
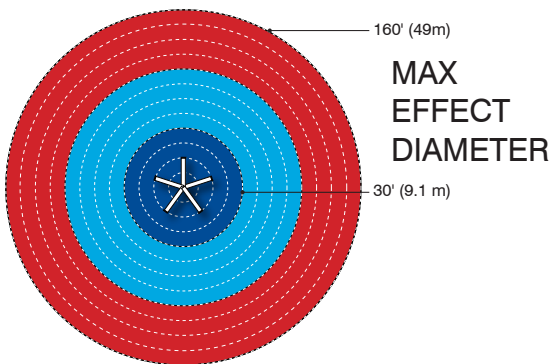
### Controls

Options include single fan, multiple fan, digital, radar, and building integration.



**Swift VIII**

BLUE GIANT SERIES	AIRFOIL		MOTOR					MAX EFFECT DIA. ft.		INSTALLED WEIGHT lb	DIAMETER		DROP HEIGHT		MODEL
	NUMBER OF	FINISH	DRIVE TYPE	TYPE	RATING	HP	RPM	COOLING	HEATING		R	Z			
Swift VIII	8	Anodized	Direct Drive	ECM	IP65	1.35	140	30	60	106	6 Ft.	1.8 m	11"	29"	<b>BGS8-0618</b>
							100	40	80	110	8 Ft.	2.4 m	15"		<b>BGS8-0824</b>
							70	50	100	115	10 Ft.	3.0 m	18"		<b>BGS8-1030</b>
							65	60	120	119	12 Ft.	3.6 m	22"		<b>BGS8-1236</b>
							45	70	140	123	14 Ft.	4.3 m	26"		<b>BGS8-1443</b>
							45	80	160	167	16 Ft.	4.9 m	29"		<b>BGS8-1649</b>



**BLUE GIANT**  
BLUE GIANT EQUIPMENT CORPORATION

**Corporate** 410 Admiral Blvd  
Mississauga, ON, Canada L5T 2N6  
t 905.457.3900 f 905.457.2313

**USA** 6350 Burnt Poplar Road  
Greensboro, NC 27409  
[www.bluegiant.com](http://www.bluegiant.com)

AUTHORIZED DEALER

Blue Giant offers a full line of dock levelers, dock safety equipment, seals and shelters, accessories, ergonomic and scissor lift equipment and industrial trucks. Concurrent with our continuing product improvement program, specifications are subject to change without notice. Please contact Blue Giant for latest information. Some features illustrated may be optional in certain market areas.