

# PARTS LIST

## STATIONARY DOCK LIFT



ACTUAL PRODUCT MAY NOT APPEAR EXACTLY AS SHOWN

### WARNING

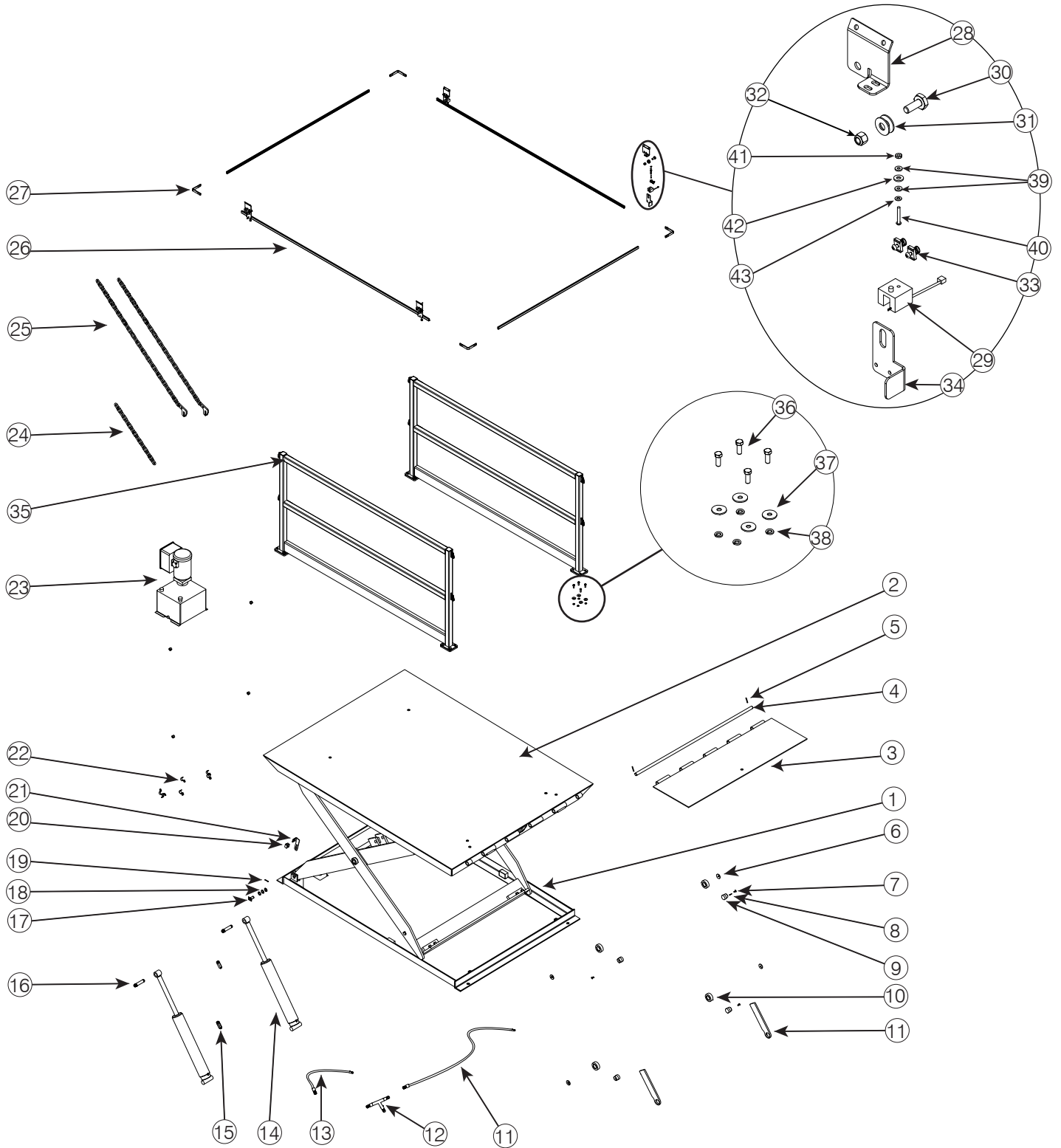
Do not operate or service this product unless you have read and fully understand the entire contents of this manual. Failure to do so may result in bodily injury or death.

**BLUE GIANT**<sup>®</sup>

STARTING FROM JUNE 9, 2020 / SERIAL # 0.

ISSUE DATE: MAY 17, 2023 REV. 1.5 (PART # 038-1128EPL)

MECHANICAL ASSEMBLY



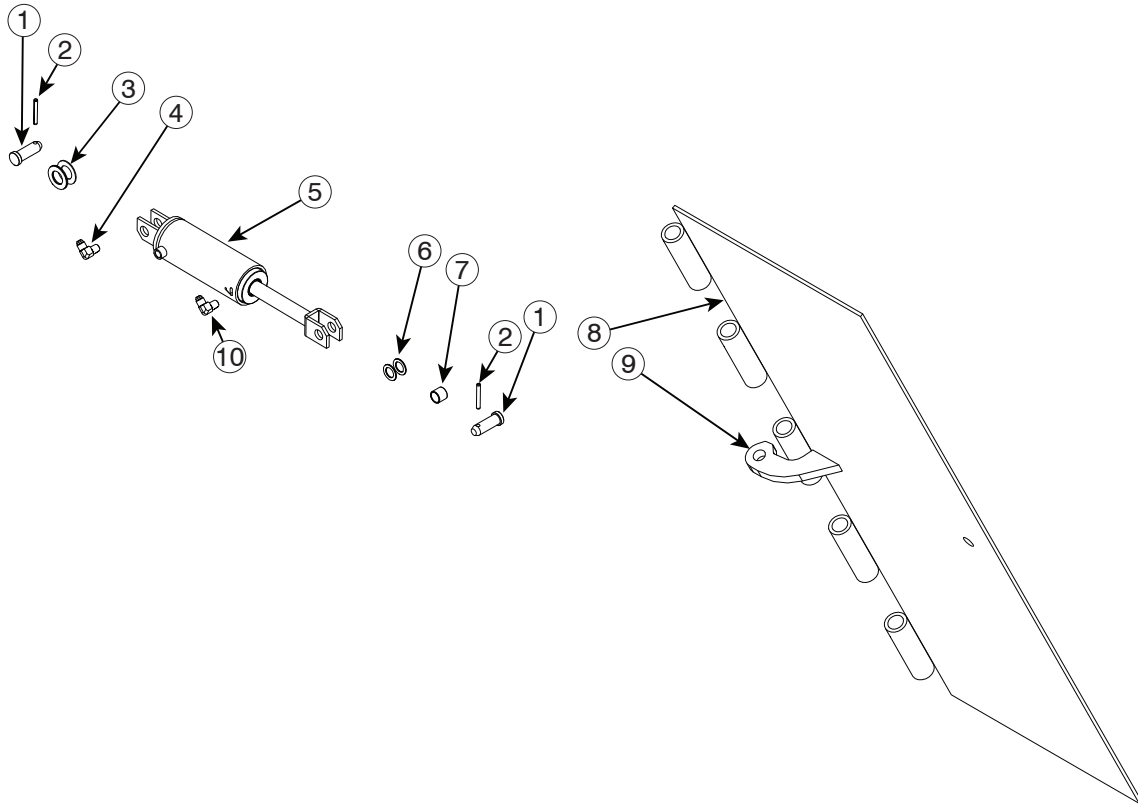
## MECHANICAL ASSEMBLY CONT'D.

ITEM	QTY	PART NO.	DESCRIPTION
1	1	See Owner's Manual (038-1099E)	BACK FRAME WELDMENT
2	1	See Owner's Manual (038-1099E)	DECK WELD
3	1	See Owner's Manual (038-1099E)	LIP PLATE WELDMENT
4	1	Varies on Model	LIP HINGE TUBE
5	1	013-625	LIP PIN
6	4	117-500	ROLLER STUD PLATE 1-3/4IN OD X 7GA THK
7	4	011-066	FHCS 5/16-18 UNC X 3/4"L
8	4	013-005	SPRING PIN, 5/32IN OD X 1IN L
9	4	105-917	STUD ROLLER 12IN LH & 14IN LH
10	4	019-001	BEARING ROLLER ED/FS 6K# & OVER
11	1	Varies on Model	MAIN HOSE FITTING
12	1	Varies on Model	T-FITTING
13	1	Varies on Model	CYLINDER HOSE TO T-FITTING
14	2	Varies on Model	"CYLINDER ASSY (3-1/2" DIA), ED/FS ( 19 1/2" STROKE)"
15	2	Varies on Model	VELOCITY FUSE
16	2	Varies on Model	PIN, CYLINDER PIVOT, 1IN OD X 5 1/8IN L
17	2	Varies on Model	PIN ASSEMBLY, 3/4IN OD X 1-7/8IN L
18	6	Varies on Model	"WASHER, SPACER, 1 ID X 1-3/4 OD X 1/16 THK"
19	2	013-012	SPRING PIN Ø1/4" X 2"L ZN PLATED
20	1	2005415	VANE SENSOR
21	1	2009892	BRACKET, LIMIT SWITCH
22	6	035-262	STRAP (#8 HOSE CLAMP), EMT, 3/4IN
23	1	Varies on Model	HYDRAULIC POWERPACK
24	Varies on Model	Varies on Model	LIP CHAIN
25	Varies on Model	Varies on Model	PERSONNEL RESTRAINT CHAIN(S)

ITEM	QTY	PART NO.	DESCRIPTION
26	4	Varies on Model	ETG STRUT
27	4	2015215	CORNER INSERT, ETG
28	4	2005412	BRACKET, ELECTRIC TOE GUARD, STYLE 3
29	1	026-H136-R	Harness Recept, Interlock Sensor
30	4	010-039	SCREW, CAP, HEX HD, 3/8-16X1X1, -, PREFERRED
31	2	012-252	WASHER, FLAT, 3/8, PREFERRED
32	4	011-552	NUT, HEX, NYLON, LOCK, 3/8-16, PREFERRED
33	8	011-194	NUT, STRUT CHANNEL W/ SPRING #8-32
34	4	2003550	GUIDE, ELECTRIC TOE GUARD, 8IN-10IN LH
35	Varies on Order	Varies on Model	GUARD RAIL
36	4 per anchor	010-039	SCREW, CAP, HEX HD, 3/8-16X1X1, -, PREFERRED
37	4 per anchor	012-201	WASHER, LOCK, SPG, REGULAR, 3/8, PREFERRED
38	4 per anchor	012-252	WASHER, FLAT, 3/8, PREFERRED
39	2 per anchor	012-204	WASHER FLAT # 6 SCREW SIZE
40	1 per anchor	011-003	SCREW, RD HD, #6-32, PREFERRED
41	1 per anchor	011-514	NUT HEX MACHINE SCREW # 6-32
42	1 per anchor	012-206	WASHER FLAT #10
43	1 per anchor	012-224	WASHER, LOCK STEEL ZINC PLATED

**HYDRAULIC LIP ASSIST MECHANICAL ASSEMBLY**

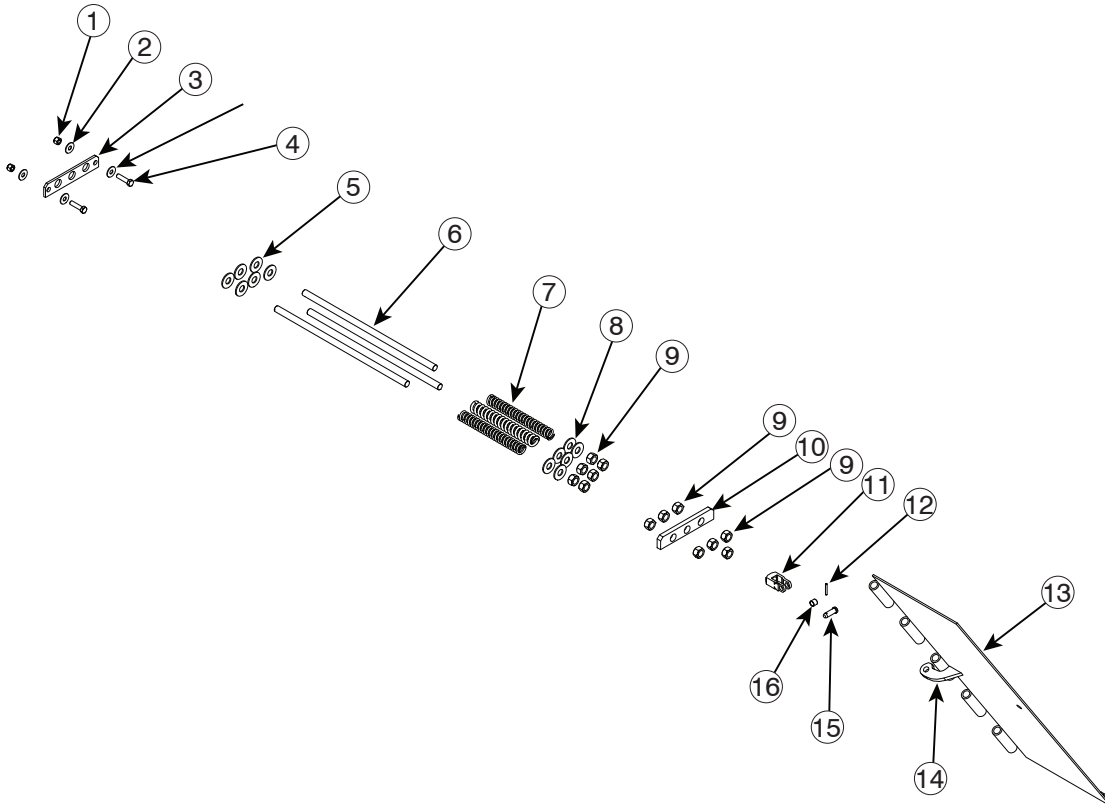
This exploded view displays common components of the dock lift.



ITEM	QTY	PART NO.	DESCRIPTION
1	1	107-196	CLEVIS PIN 3/4in OD X 1-5/8in L
2	1	013-012	PIN, SPRING, SLOTTED, 1/4X2, PREFERRED
3	10	106-389	"WASHER, SPACER, 1 ID X 1-3/4 OD X 1/16 THK"
4	1	034-611	FITTING
5	1	211-7002-2	LIP CYLINDER
6	4	105-878	SPACER WASHER
7	1	108-001	BUSHING 3/4"ID X 7/8"OD X 3/4"L
8	1	Varies on Model	LIP
9	1	2009716	LIP CLEVIS
10	1	034-601	FITTING

**SPRING LIP ASSIST MECHANICAL ASSEMBLY**

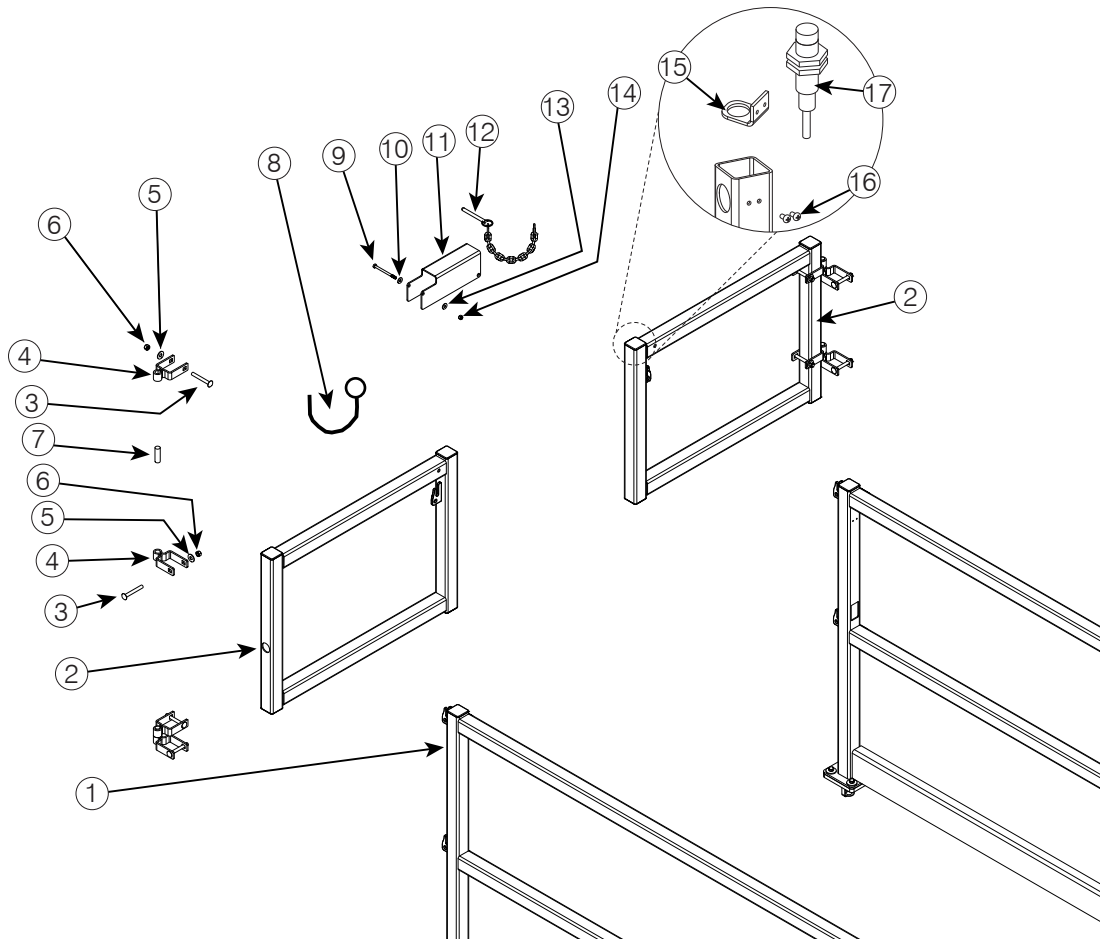
This exploded view displays common components of the dock lift.



ITEM	QTY	PART NO.	DESCRIPTION
1	2	011-501	NUT,HEX,NYLON,LOCK,5/8-11,PREFERRED
2	4	012-213	WASHER,FLAT,5/8,PREFERRED
3	1	2002242-01	PLATE, SPRING ASSIST, 3/4IN THK
4	2	011-032	CAPSCREW GR.8 HEX HEAD
5	12	012-250	WASHER FLAT USS 1"
6	3	24-003386-1	LIP PUSHER SHAFT, 10'L MU
7	Varies on Model	Varies on Model	COMPRESSION SPRING-LIP ASSIST
8	6	012-250	WASHER FLAT USS 1"
9	7	1002042	HEX NUTS (U.S.)
10	1	2002242-02	PLATE, SPRING ASSIST, 3/8IN THK
11	1	114-663	CLEVIS
12	1	013-012	SPRING PIN, 1/4IN DIA X 2IN L
13	1	Varies on Model	LIP
14	1	2009716	LIP CLEVIS
15	1	107-196	CLEVIS PIN 3/4IN OD X 1-5/8IN L
16	1	018-001	BUSHING 3/4"ID X 7/8"OD X 3/4"L

**GATE MECHANICAL ASSEMBLY**

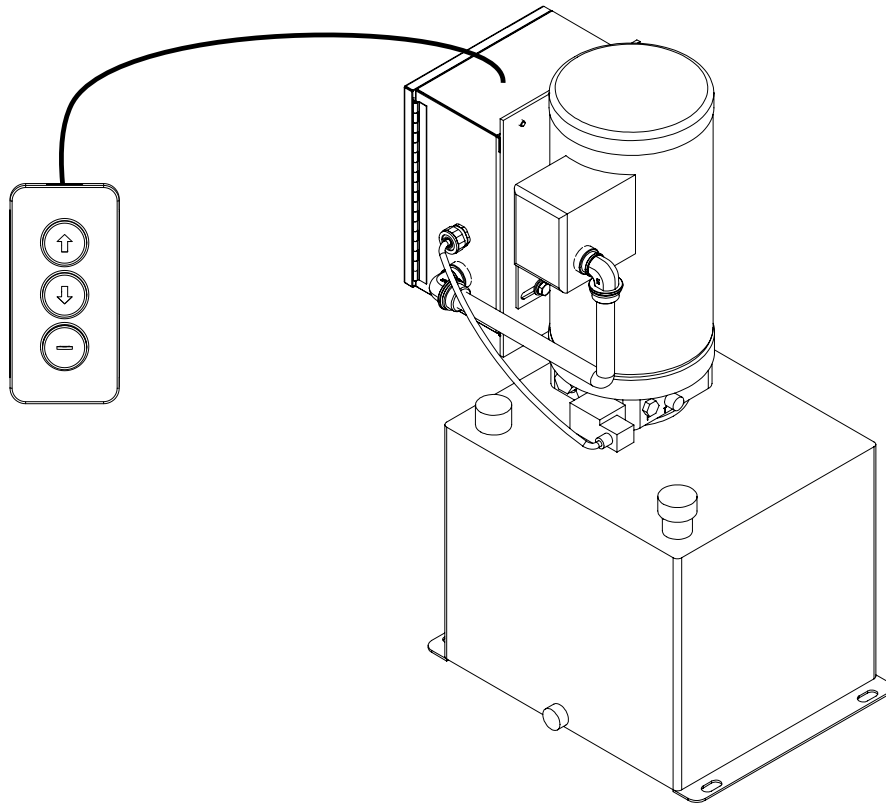
This exploded view displays common components of the dock lift.



ITEM	QTY	PART NO.	DESCRIPTION
1	Varies on Model	2002783	GUARD RAIL
2	2	Varies on Model	GATE
3	8	014-075	BOLT,CARRIAGE,3/8-16X3,NP
4	4	2005978	BRACKET, SQ. POST 2IN, FEMALE, 9GA
5	16	012-252	WASHER,FLAT,3/8,PREFERRED
6	8	011-507	NUT,HEX,3/8-16,PREFERRED
7	4	2012452	PIVOT PIN 5/8"D X 2"L
8	1	013-632	LANYARD, LOOP TO LOOP 12L
9	1	011-141	CAPSCREW, HEX HEAD, ZINC PLATE
10	2	012-210	WASHER,FLAT,ZN PLD,1/4,PREFERRED
11	1	2005997-03	LATCH, LOOP OVER GATE
12	1	013-605	PIN
13	2	012-210	WASHER,FLAT,ZN PLD,1/4,PREFERRED
14	1	011-545	NUT,HEX,NYLON,LOCK,1/4-20,PREFERRED
15	1	2017380	BRACKET, GATE SENSOR (Option)
16	2	011-027	SCREW, MACHINE P/H, ZP (Option)
17	1	028-207-1	PROXIMITY SENSOR, M18, 2-WIRE, M12 (Option)

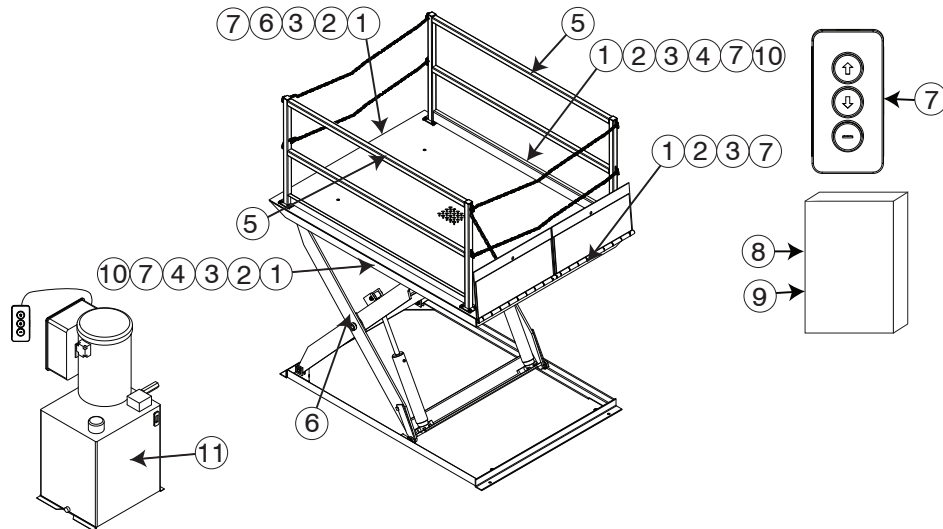
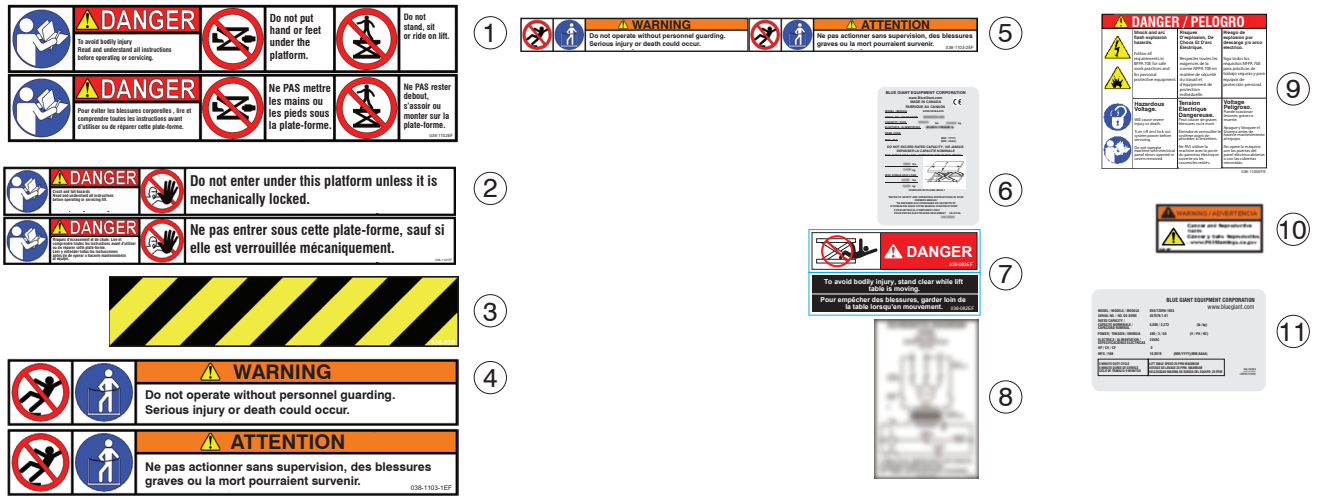
**POWERPACK IDENTIFICATION**

The stock Powerpacks (Pit or Remote) are listed below for easy reference. This is a partial list of available Dock Lifts by size, capacity, lowered/raised heights, and Powerpack options. Contact your Blue Giant Dealer regarding a full list of options. Refer to the electrical drawings for specific wiring requirements



ITEM	QTY	PART NO.	DESCRIPTION
1	1	033-340	POWERPACK 3HP 208-230-460V/3/60 CON. VER
	1	033-341	POWERPACK 3HP 575V/3/60 CON. VER
	1	033-342	POWERPACK 5HP 208-230-460V/3/60 INT. VER
	1	033-343	POWERPACK 5HP 575V/3/60 INT. VER
	1	033-344	POWERPACK 1HP 110-120V/1/60 CON. VER
Varies on Order			MOTOR
			MANIFOLD
			TANK/RESERVOIR
			HEATER PORT
			SIGHT GLASS OIL LEVEL (OPTIONAL)
			DRAIN
			TANK/RESERVOIR FILLER BREATHER
			FILLER / VENT HOLE
			PUMP (NOT SHOWN)
			CONTROL BOX
			PUSH BUTTON CONTROL PENDANT

DECAL IDENTIFICATION AND LOCATION



ITEM	QTY	PART NO.	DESCRIPTION
1	4	038-1102	EF ES Warns personnel to read operating instructions before using the lift table and warn of possible bodily injury
2	4	038-1101	EF ES Warns personnel to employ the Maintenance Strut and Service Stand before working on and under the lift table
3	4	038-237	Safety Stripe tape to alert personnel of hazardous areas and edges (i.e. toe guards, edges)
4	2	038-1103	1EF 1ES Warns personnel to use the original guard rails and other safety features when operating the lift. (i.e. Interlock gate) (Located on the deck sides)
5	1 per guardrail	038-1103	2EF 2ES Warns personnel to use the original guard rails and other safety features when operating the lift. (i.e. Interlock gate) (Located on the original guard rails)
6	2	038-1106EFS	Nameplate to identify the lift, serial number, and load transfer capacities
7	5	038-082	EF ES Warns personnel to stand clear of lift table and the immediate area while it is in operation. Each decal has an image half and a text half. Each half may be applied horizontally (side to side) along the table edge or vertically (one above another) along the table edge, depending on space available.
8	1	114-308	Wiring diagram for facility hookup (Keep in electrical box) (Sample only shown)



ITEM	QTY	PART NO.	DESCRIPTION
9	1	038-1105EFS	Reminds personnel to lock out the electrical feeds before attempting work on the lift (on exterior of electrical box)
10	2	038-1097ES	Proposition 65 Cancer and Reproductive Harm Warning - California only
11	1	038-1107EFS	Rated dock capacity and electrics (Located on Powerpack)

**OPERATION PLACARD**

The Operation Placard (Part. No. 038-545E) is to be wall mounted near the dock lift controls. A duplicate is provided on the following page.



# WARNING

## APPLIES TO BLUE GIANT SCISSOR LIFTS

Do not operate this scissor lift without proper training and authorization.

### READ AND UNDERSTAND THE FOLLOWING:

*The instructions and warnings on this placard and in the owner's manual.  
The warnings on the scissor lift decals.*

Do NOT go under the scissor lift platform to clean or perform routine maintenance unless the Maintenance Strut and Service Stand are safely and securely engaged.

#### **Prior to using the scissor lift:**

- *Verify that all safety devices (guard rails, restraint chains, toe guards, and warning bells-if equipped) are in place and functioning properly.*
- *Operate the scissor lift through one complete lift / lower cycle and verify its proper operation. Inspect the scissor lift for signs of structural damage or mechanical malfunction. If damage is observed or the unit fails to operate properly, remove them from service and notify maintenance personnel immediately.*

Do NOT exceed the capacity as stated on the nameplate.

Ensure that the scissor lift serial nameplate is present and legible.

Do NOT leave the control station where it can be accidentally operated or damaged.

Be aware that lift capacity may be reduced when loads are rolled over the platform sides or edges. Refer to the nameplate for reduced capacity under these conditions.

If loads are mobile, secure them in a fixed position before operating the scissor lift.

Lift operator(s) must be present during all steps of operation.

Lift operator(s) must keep an unobstructed view of lift, any operation light/horn/bell, and other operators to ensure safe operation.

Ensure that all personnel near the scissor lift are aware that it is being operated.

Keep objects, control cables, spills, possible trip hazards, and debris away from around or under the scissor lift platform/lip and its travel path.

If the scissor lift is equipped with a hinged bridge(s), the bridge must overlap the trailer bed by a minimum of 4" (102mm) before use. Do not use the bridge if it is supported solely by the lifting chain.

Hinged lips may drop unexpectedly, keep people and objects clear of the area immediately under or near the lip.

#### **If maintenance or service is required:**

- *Only authorized service personnel shall provide maintenance / service on the lift.*
- *Follow approved lockout procedures.*
- *Do NOT work on or under the lift without properly engaging the lift's maintenance strut. Blue Giant recommends the use of a secondary means (service stand) of securing the scissor lift while performing repairs under the deck.*
- *The lift shall not be modified or altered without written approval from an authorized Blue Giant representative.*
- *Maintain records of repairs and preventive maintenance reports.*



**BLUE GIANT**<sup>®</sup>  
BLUE GIANT EQUIPMENT CORPORATION

**Corporate** 410 Admiral Blvd  
Mississauga, ON, Canada L5T 2N6  
t 905.457.3900 f 905.457.2313

**USA** 6350 Burnt Poplar Road  
Greensboro, NC 27409  
[www.bluegiant.com](http://www.bluegiant.com)